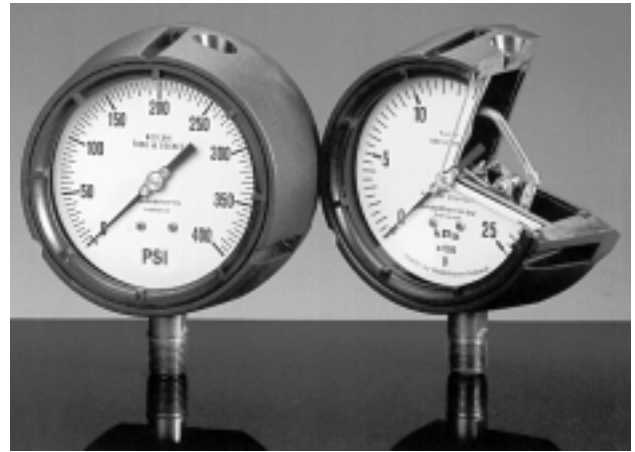


Badotherm Gauges

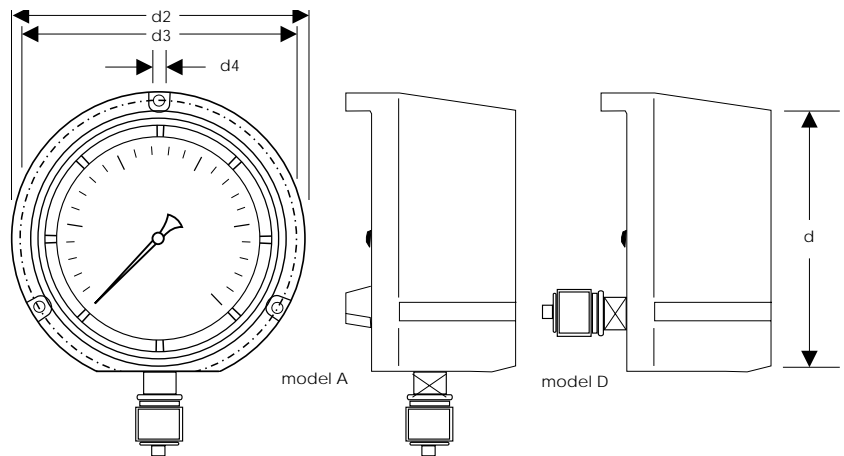
Model SG500

Safety pressure gauges
 "solid front" and blow-out back
 For industrial processes
 Dry or glycerine filled
 Accuracy of 1/2 of 1%
 115 mm (4 1/2")

- Pointer : micrometric adjustable
- Bourdon tube system : seamless drawn tube, stainless steel AISI-316L
- Case and Ring : class IP 67, threaded, phenolic, black
- Dial : aluminum, white background, black (psi) and blue (kPa) graduations, 270° arc
- Range : double, psi and kPa, compound, pressure and vacuum
- Dial Size : 115 mm (4 1/2") only
- Mount : stem or wall mount
- Movement : AISI-316L stainless steel rotary bushed movement
- Accuracy : 0,5% (F.S. to 20 °C); deviation ±0,4% per °C
- Lens : acrylic
- Fitting : AISI-316L stainless steel, 1/4" or 1/2" NPT; lower mount (model A) or lower back mount (model D)



All gauges have dual scale dials



Dimensions						
Dial	d	d2	d3	d4	Weight dry	Weight filled
115 mm	129	148	137	6	1,0 kg	1,5 kg
4 in 1/2	5 5/64	5 13/16	5 25/64	15/64	2,2 lb	3,3 lb

Limits		
Temperature	Working	Process
Dry	- 25 at + 60°C	+230°C
Pure Glycerine	0 at + 60°C	+65°C
Mixed Glycerine	-45 at + 60°C	+65°C
Pressure	Maximum	Range
STD	1,25 x FS	≤ 600 psi
STD	1,15 x FS	≤ 900 psi
STD	1,10 x FS	≤ 15000 psi

RANGE CODE					
CODE	"Hg and psi Range	kPa Range	"Hg Divisions	psi Divisions	kPa Divisions
SG500A-401	-30/Hg/0	-100/0	0,2		1
SG500A-405	-30/0/15	-100/0/100	1	0,5	5
SG500A-406	-30/0/30	-100/0/200	1	0,5	5
SG500A-407	-30/0/60	-100/0/420	1	0,5	10
SG500A-408	-30/0/100	-100/0/700	2	1	10
SG500A-409	-30/0/150	-100/0/1000	5	1	20
SG500A-410	-30/0/160	-100/0/1100	5	1	20
SG500A-411	-30/0/200	-100/0/1400	5	2	20
SG500A-412	-30/0/300	-100/0/2100	5	2	20
SG500A-417	0/15	0/100		0,1	1
SG500A-420	0/30	0/200		0,2	2
SG500A-422	0/60	0/420		0,5	5
SG500A-423	0/100	0/700		1	10
SG500A-425	0/160	0/1100		1	10
SG500A-426	0/200	0/1400		2	20
SG500A-427	0/300	0/2100		2	20
SG500A-428	0/400	0/2800		5	50
SG500A-430	0/600	0/4200		5	50
SG500A-432	0/1000	0/7000		10	100
SG500A-433	0/1500	0/10000		10	100
SG500A-435	0/2000	0/14000		20	200
SG500A-436	0/3000	0/21000		20	200
SG500A-438	0/5000	0/35000		50	500
SG500A-441	0/10000	0/70000		100	1000
SG70730071	Maximum or minimum pointer for SG500				
RV503	Shatterproof glass lens for SG500				

CE 51: Calibration certificate, extra \$ 45

- Add \$ 15 to fill gauge
- For fitting 1/2" change the -4xx for -2xx
- For back fitting, change SG500A for SG500D
- Maximum or minimum pointer available
- Quantity pricing available
- Custom dials